

COMBI UNIT

TABLETS DEDUSTER
& METAL DETECTOR **CEIA**

The Combi Ce

Pharma Technology's "Combi" allows vertical dedusting and deburring of any type of tablets. Stepless vibration creates a vertical ascension of the products. The deduster's height can vary between 500 mm and 1200 mm in direct relation with the outlet height required. The "Combi" dedusters are equipped with a metal particles detector. As metal particles detectors are very sensitive to vibrations, the vibrating parts of the deduster are isolated from the steady parts of the frame. This permits reaching an optimal accuracy such as a spherical stainless steel part of 0,5 mm in the products. A high speed rejection mechanism instantly rejects non conform products. The construction of this special frame saves space into the production room and reduces the retention areas. In addition, the circuit of tablets is therefore totally closed between the inlet into the deduster and the outlet of the metal particles detector.

Advantages

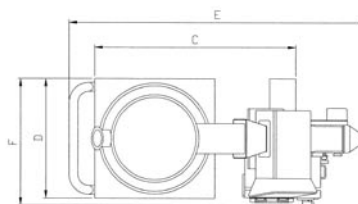
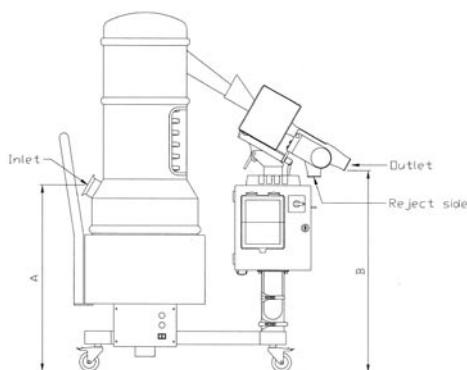
- Inlet/outlet height adjustment
- Inlet/Outlet direction adjustment
- Flexible position of the metal check
- electrical cabinet
- All cables are integrated in the unit frame
- Compliant with 21 CFR
- Lifts the products during the process
- Dust extraction concept
- Low noise release
- Continuous TIG welding
- Quick dismantling - assembling
- IQ/OQ validation protocol available

Metal detector CEIA



Solutions

meeting
your needs ...



Technical data :	Combi 500 CE	Combi 750 CE	Combi 1000 CE	Combi 1200 CE
Inlet height (A)	730-830 mm (+50 mm optional)	730-830 mm (+50 mm optional)	730-830 mm (+50 mm optional)	730-830 mm (+50 mm optional)
Outlet height (B)	750 mm	1000 mm	1300 mm	1490 mm
Floor dimensions (Cx D)	770 mm x 460 mm	770 mm x 460 mm	770 mm x 460 mm	770 mm x 460 mm
Total length (Ex F)	1140 mm x 500 mm	1140 mm x 500 mm	1140 mm x 500 mm	1140 mm x 500 mm
Inlet chute dimension	DIN DN 65	DIN DN 65	DIN DN 65	DIN DN 65
Outlet chute	Ø 60 mm	Ø 60 mm	Ø 60 mm	Ø 60 mm
Minimum tablets size	Ø 4 mm	Ø 4 mm	Ø 4 mm	Ø 4 mm
Maximum tablets size	Ø 25 mm	Ø 25 mm	Ø 25 mm	Ø 25 mm
Conveying speed	Adjustable	Adjustable	Adjustable	Adjustable
Tablets conveying time	+/- 60 sec.	+/- 90 sec.	+/- 120 sec.	+/- 140 sec.
Requested air extraction	+/- 200 m³/h - WS 200 mm	+/- 200 m³/h - WS 200 mm	+/- 200 m³/h - WS 200 mm	+/- 200 m³/h - WS 200 mm
Ø Dust extraction connection	Ø 52 mm	Ø 52 mm	Ø 52 mm	Ø 52 mm
Noise level (Db)	Max. 72 Db	Max. 72 Db	Max. 72 Db	Max. 72 Db
Power supply	110V or 230V	110V or 230V	110V or 230V	110V or 230V
Power cycle	50 Hz or 60 Hz	50 Hz or 60 Hz	50 Hz or 60 Hz	50 Hz or 60 Hz
Contact parts	Stainless steel 316L	Stainless steel 316L	Stainless steel 316L	Stainless steel 316L
Contact parts finishing	Mirror finish RA < 0,5 µm	Mirror finish RA < 0,5 µm	Mirror finish RA < 0,5 µm	Mirror finish RA < 0,5 µm
Contact parts welding	Continuous TIG welding	Continuous TIG welding	Continuous TIG welding	Continuous TIG welding
Frame parts	Stainless steel 304	Stainless steel 304	Stainless steel 304	Stainless steel 304
Frame finishing	Mirror finish	Mirror finish	Mirror finish	Mirror finish
Frame mounted on wheels	Yes	Yes	Yes	Yes
IQ-OQ protocol	Available	Available	Available	Available
Packaging	Box on 1 US pallet	Box on 1 US pallet	Box on 1 US pallet	Box on 1 US pallet
Netto weight	140 Kg	155 Kg	170 Kg	185 Kg
Brutto weight	190 Kg	205 Kg	220 Kg	235 Kg
Metal detector :	THS/PH21	THS/PH21	THS/PH21	THS/PH21
Head opening	100 x 40 mm	100 x 40 mm	100 x 40 mm	100 x 40 mm
Accuracy stainless steel	Ø 0,5 mm	Ø 0,5 mm	Ø 0,5 mm	Ø 0,5 mm
Accuracy non-ferro	Ø 0,35 mm	Ø 0,35 mm	Ø 0,35 mm	Ø 0,35 mm
Accuracy ferro	Ø 0,3 mm	Ø 0,3 mm	Ø 0,3 mm	Ø 0,3 mm
Capacity / Speed exemples :				
Round tablets Ø 6 mm	2 000 000 tabs/H	2 000 000 tabs/H	2 000 000 tabs/H	2 000 000 tabs/H
Round tablets Ø 8 mm	500 000 tabs/H	500 000 tabs/H	500 000 tabs/H	500 000 tabs/H
Round tablets Ø 13 mm	320 000 tabs/H	320 000 tabs/H	320 000 tabs/H	320 000 tabs/H
Shaped tablets 8mm x 4mm	500 000 tabs/H	500 000 tabs/H	500 000 tabs/H	500 000 tabs/H
Shaped tablets 19mm x 7mm	150 000 tabs/H	150 000 tabs/H	150 000 tabs/H	150 000 tabs/H

PHARMA TECHNOLOGY

Rue de la Maîtrise 11
B-1400 Nivelles
Belgium

Tel: +32 67 64 55 00 - Fax: +32 67 64 55 11

E-Mail: info@pharmatec.be - Web site: www.pharmatec.be