

Cut-gate Automatic Weigher CG series

- Precise weighing accuracy
- Gentle product handling
- Quick product changeover
- Dustproof construction
- Easy-to-clean design



BENEFITS

1 Precise weighing accuracy

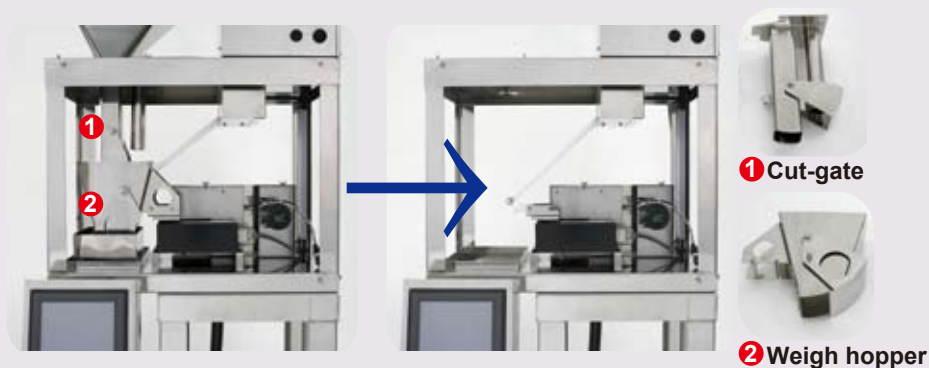
- Accurate Ishida load cell and high-speed feedback control system allow stable and accurate weighing.

2 Gentle product handling

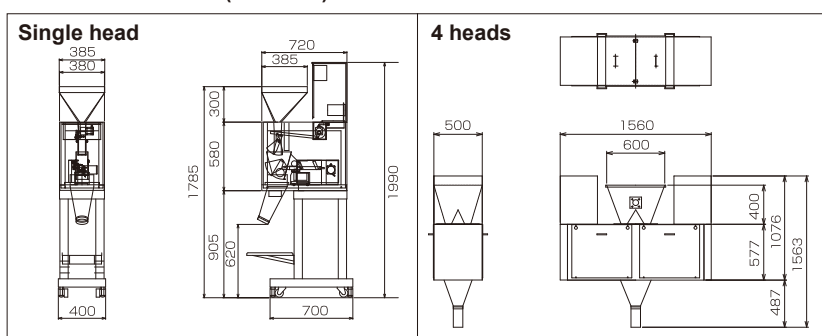
- Compared with auger or volumetric cup fillers, the cut-gate feeding system dramatically reduces product damage and minimizes product giveaway.

3 Easy to clean

- No tools are required to remove cut-gate, weigh hopper and many other parts, simplifying clean-up procedures and reducing clean-up time.



DIMENSIONS (unit: mm)



SPECIFICATIONS

Model	CG-202LC	CG-203LC
Head # variation	1,2,3,4,6 and 10 head	
Target product	Granular, free-flowing products	
Weighing capacity	Max. 1,000 g (per head)	
Weighing accuracy*	S.D. 0.2 - 0.4	
Minimum graduation	0.1 g	1.0 g
Weigh sensor	Twin beam load cell	
Weighing speed (Max.)*	15 WPM (per head)	13 WPM (per head)
Product infeed	Free-fall	
Zero adjustment	During operation: Automatic zero adjustment During standby: Manual zero adjustment by touch key	
Material/ Surface treatment	Polished stainless steel	
Power supply	Single phase AC100 V-240 V, 50/60 Hz	

* Depends on target weight, weighing speed and other conditions

** Depends on the product shape, product density, target weight, etc.

4 Dustproof construction

- To prevent dust dispersion, weighing components are enclosed in an easily detachable cover. A sealed enclosure for gas flushing is available as an option.



Sealed enclosure (Option)

5 Quick product changeover

- Target weight, weighing speed and other settings are easy to change via the Remote Control Unit.

6 Options

- Stainless body construction
- Sealed structure for gas filling
- CF card slot
- Data printer
- Communication interface

ISHIDA



Exporter:

ISHIDA CO., LTD.
44 SANNO-CHO, SHOGOIN, SAKYO-KU
KYOTO, 606-8392 JAPAN
PHONE: 81-75-771-4141
FACSIMILE: 81-75-751-1634
URL: <http://www.ishidajapan.com>

Manufacturer: **ISHIDA ENGINEERING CO., LTD.**

ISHIDA



EUROPE

Ishida Europe Limited
11 Kettles Wood Drive
Woodgate Business Park
Birmingham B32 3DB
United Kingdom
Tel: +44 (0)121 607 7700
Fax: +44 (0)121 607 7666
info@ishidaeurope.com
www.ishidaeurope.com