

# Lima-C Series

Continuous Motion Packaging Machine



Packaging Solutions and Technology

## LIMA-C series



### Highest Packaging Speeds

- ▶ All motions by servo technology
- ▶ Pillow bags up to 200 bpm
- ▶ Block bottom bags up to 140 bpm
- ▶ Guaranteed output

### Highest Flexibility

- ▶ Seven bag styles on one machine
- ▶ Multiple film types per machine

### Highest Quality and Efficiency

- ▶ Design and manufacturing by UVA Packaging
- ▶ All parts and components from A-brands

### World Service Program

- ▶ 24/7 technical support
- ▶ Optional service contract including maintenance



## Contact Details

### Head Office • PMB-UVA International B.V.

T +31 (0)40 282 5000 • F +31 (0)40 282 5001 • Meerenakkerweg 32 • 5652 AV Eindhoven • The Netherlands • sales@uva-packaging.com • www.uva-packaging.com

### Northern American Division • UVA Packaging

T +1-804 275 8067 • F +1-804 271 3096 • 8111 Virginia Pine Ct. • Richmond, Virginia 23237 • United States of America • info@pmb-uvainc.com • www.pmb-uvainc.com

# Detailed Machine Specifications



## LIMA-C series

### Machine Design

- ▶ Anti-corrosive version with solid stainless steel housing
- ▶ Stainless steel frame; height to application
- ▶ Sanitary, stainless steel, closed housing, low profile machine design
- ▶ Easy floor clean up due to unique design and concept

### Controls

- ▶ Machine control through Siemens or Allen Bradley (Lima I series with Lenze)
- ▶ Colour touch screen for production information and fault display
- ▶ 200 production program memory for quick changeovers
- ▶ Servo motors for cross seal unit and film draw off belts
- ▶ Slip compensation for film transport through film encoder
- ▶ Continuous motion power film reel unwind motor; controlled by dancer unit

### Efficiency Management

- ▶ Efficiency Statistics monitor with "reason code" interface
- ▶ Drop time adjustment on screen
- ▶ Production counter with reset button at control panel
- ▶ Pressure sensor for low air pressure detection with machine stop
- ▶ Easy and quick change of sealing jaws and sealing system
- ▶ Program selectable cross jaw opening for maximum output with different bag sizes
- ▶ Optional Integrated Auto Splicer
- ▶ Vacuum film draw off system with dry vane vacuum pump
- ▶ Vacuum belts with "gentle" motion film draw off, acceleration / deceleration of belts
- ▶ 3 Extra inputs for synchronisation
- ▶ RTD temperature probes (PT 100)

### Ease of Use

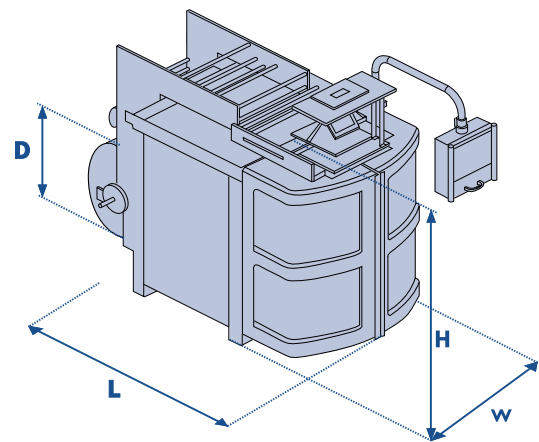
- ▶ Vertical seal bar for long seals
- ▶ Automatic vertical seal bar retraction by machine stop to avoid heat build up at tube
- ▶ Temperature controllers with precise, separate control for front, rear and long seal jaws
- ▶ Film reel for easy roll change (expansion shaft), Self centering and positioning

### After Sales Service

- ▶ Low cost on maintenance, uptime guaranteed
- ▶ Global and service network contract possibilities

### Application Options

- ▶ Machine Heating-Pack for Deep-frozen environment
- ▶ Machine Wet-Pack for extra machine protection in wet environment
- ▶ Machine Dust-Pack for extra machine protection in dusty environment



### Machine Specification

	Lima 250	Lima 320	Lima 400
Technology	Continuous Motion		
Bag width	50-250 mm	50-320 mm	50-400 mm
Bag width, block bottom	40-170 mm	40-270 mm	40-320 mm
Front to back, block bottom	30-100 mm	30-130 mm	30-160 mm
Bag length	min. 50 mm		
Power consumption	10/12,5 kVA		
Air requirements	6 bar		
Maximum film roll width	840 mm		
Maximum film reel diameter (D)	700 mm		
Core diameter	76 mm or 150 mm		
Maximum machine output	200 bags/min.		
Machine weight approximately	950 kg		
Dimensions (stand.) HxWxL in mm	1725x1200x2086	1875x1200x2086	1925x1200x2086

### Bag Styles

Bag Style	max. Speed
Pillow	✓ 200 bpm
Block Bottom	✓ 140 bpm
Gusseted	✓ 140 bpm
Corner Crease	✓ 120 bpm
Corner Seal	✓ 100 bpm
Doy-Style	✓ 100 bpm
Push Pop	✓ 100 bpm

### Ease of Use

Easy opening	✓
Euro log	✓