

CAPSULES DEDUSTER

The PTG

The PT and PTG ranges are mainly used for dedusting and polishing capsules, however the PT version can also be used for tablets. A polyamide/nylon rotative screw without end achieves a polishing in a 316L stainless steel tube. On the overall uphill conveying length suction stitchings allow powder excess to be removed. This ascending device with adjustable length from 600 mm to 1500 mm can be equipped with a removal system for empty or opened capsules. Optional possibilities such as metal detector combination are available. A latest development called PTGR allows to cool capsules filled with warm liquids. All these units are completely dismantlable without tooling and cleanable with ultrasonic wave bath.

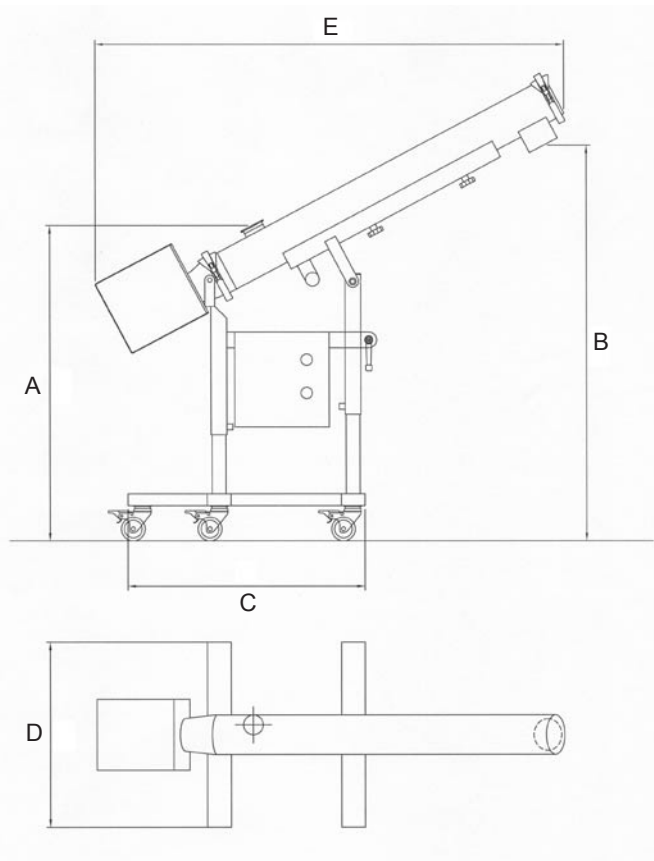
Advantages

- Lifts the products
- Excellent dedusting
- Fully mobile
- Minimum floor utilisation
- Quick dismantling & assembling



Solutions

meeting
your needs ...



Technical data :	PTG 600	PTG 800	PTG 1000	PTG 1200
Inlet height (A)	800 mm (+/- 100 mm)	800 mm (+/- 100 mm)	800 mm (+/- 100 mm)	800 mm (+/- 100 mm)
Outlet height (B)	930 mm	1000 mm	1090 mm	1215 mm
Floor dimensions (Cx D)	600 mm x 450 mm	600 mm x 450 mm	600 mm x 450 mm	600 mm x 450 mm
Total length (E)	1060 mm	1190 mm	1370 mm	1590 mm
Inlet chute dimensions	DN 50	DN 50	DN 50	DN 50
Outlet chute	Ø 85 mm	Ø 85 mm	Ø 85 mm	Ø 85 mm
Minimum tablets size	Ø 4 mm	Ø 4 mm	Ø 4 mm	Ø 4 mm
Maximum tablets size	Ø 25 mm	Ø 25 mm	Ø 25 mm	Ø 25 mm
Conveying speed	Adjustable	Adjustable	Adjustable	Adjustable
Tablets conveying time	+/- 15 sec.	+/- 20 sec.	+/- 25 sec.	+/- 30 sec.
Requested air extraction	+/- 200 m³/h - WS 200 mm	+/- 200 m³/h - WS 200 mm	+/- 200 m³/h - WS 200 mm	+/- 200 m³/h - WS 200 mm
Ø Dust extraction connection	Ø 34 mm	Ø 34 mm	Ø 34 mm	Ø 34 mm
Noise level (Db)	Max. 40 Db	Max. 40 Db	Max. 40 Db	Max. 40 Db
Power supply	110V or 230V	110V or 230V	110V or 230V	110V or 230V
Power cycle	50 Hz or 60 Hz	50 Hz or 60 Hz	50 Hz or 60 Hz	50 Hz or 60 Hz
Contact parts	Stainless steel 316L	Stainless steel 316L	Stainless steel 316L	Stainless steel 316L
Contact parts finishing	Mirror finish RA < 0,5 µm	Mirror finish RA < 0,5 µm	Mirror finish RA < 0,5 µm	Mirror finish RA < 0,5 µm
Contact parts welding	Continuous TIG welding	Continuous TIG welding	Continuous TIG welding	Continuous TIG welding
Frame parts	Stainless steel 304	Stainless steel 304	Stainless steel 304	Stainless steel 304
Frame finishing	Mirror finish	Mirror finish	Mirror finish	Mirror finish
Frame mounted on wheels	Yes	Yes	Yes	Yes
IQ-OQ protocol	Available	Available	Available	Available
Packaging	Box on 1 euro pallet	Box on 1 euro pallet	Box on 1 euro pallet	Box on 1 euro pallet
Netto weight	60 Kg	70 Kg	80 Kg	90 Kg
Brutto weight	90 Kg	100 Kg	110 Kg	120 Kg
Capacity / Speed exemples :				
Round tablets Ø 6 mm	2 000 000 tabs/H	2 000 000 tabs/H	2 000 000 tabs/H	2 000 000 tabs/H
Round tablets Ø 8 mm	500 000 tabs/H	500 000 tabs/H	500 000 tabs/H	500 000 tabs/H
Round tablets Ø 13 mm	320 000 tabs/H	320 000 tabs/H	320 000 tabs/H	320 000 tabs/H
Shaped tablets 8mm x 4mm	500 000 tabs/H	500 000 tabs/H	500 000 tabs/H	500 000 tabs/H
Shaped tablets 19mm x 7mm	150 000 tabs/H	150 000 tabs/H	150 000 tabs/H	150 000 tabs/H

PHARMA TECHNOLOGY

Rue de la Maîtrise 11
B-1400 Nivelles
Belgium

Tel: +32 67 64 55 00 - Fax: +32 67 64 55 11

E-Mail: info@pharmatec.be - Web site: www.pharmatec.be